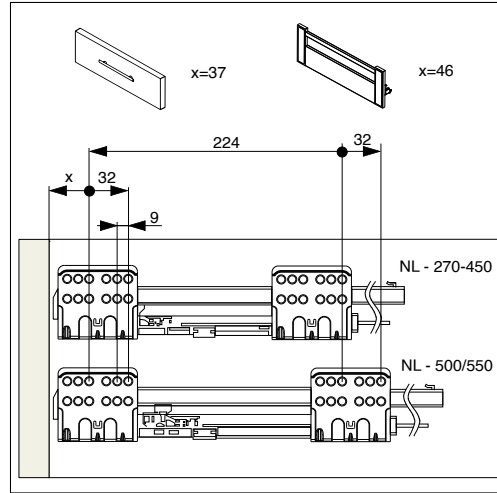
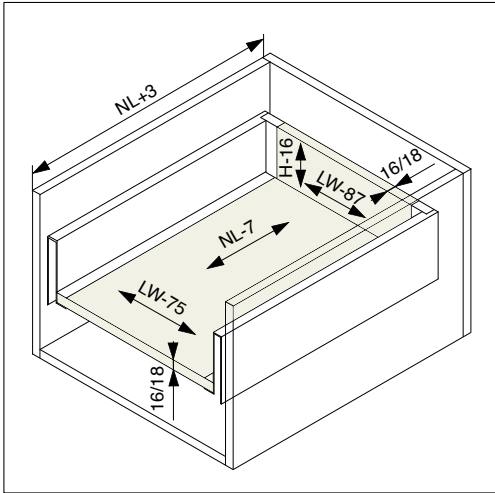
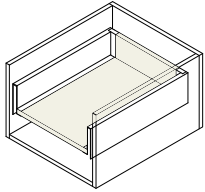


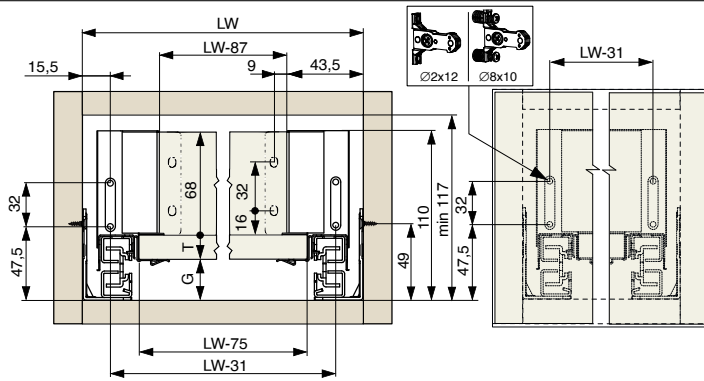
# R<sub>I</sub>EX



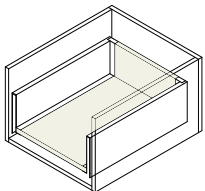
## H=84



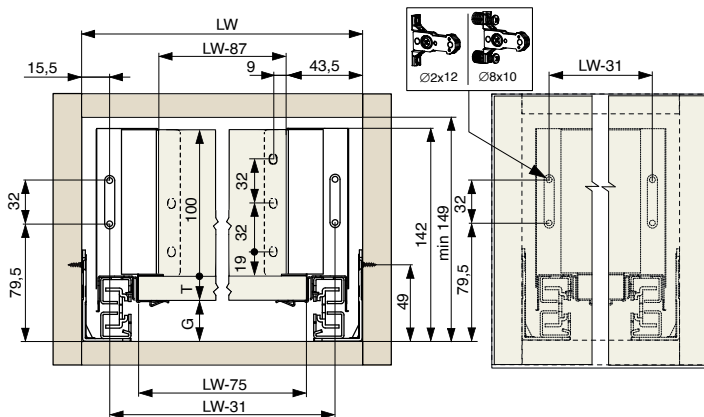
T = 16 -> G = 26  
T = 18 -> G = 24



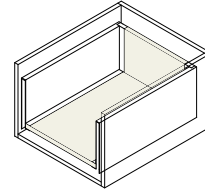
## H=116



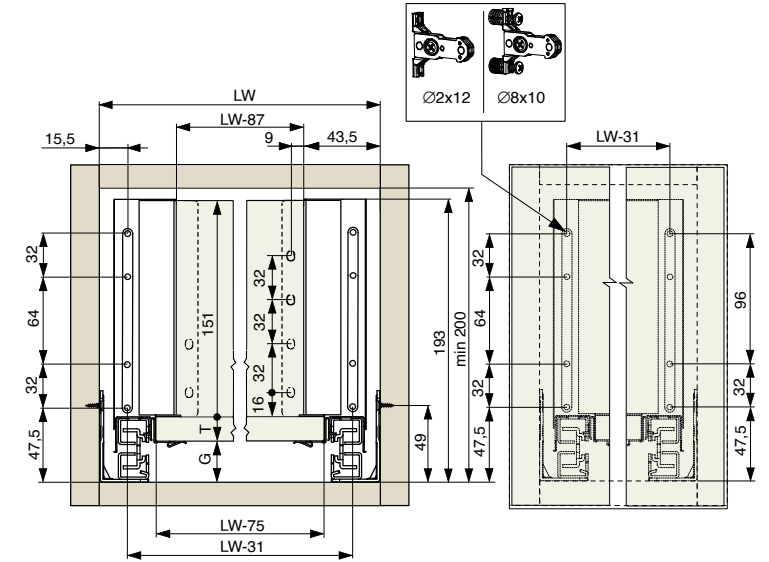
T = 16 -> G = 26  
T = 18 -> G = 24



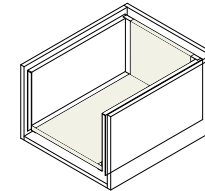
## H=167



T = 16 -> G = 26  
T = 18 -> G = 24



## H=199



T = 16 -> G = 26  
T = 18 -> G = 24

