



IT ITALIANA[®]
f e r r a m e n t a

Libra H11

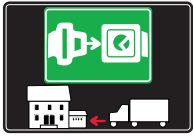
HANGERS





SYMBOLS AND FINISHES LEGEND

SYMBOLS



= SHELF SAFELY LOCKED DURING TRANSPORTATION AND AT HOME.



= ANTI-TURNOVER LOCKING SYSTEM



= NORMS / PATENTS



= PHILLIPS / POZIDRIV



= WITH BUFFER



= PART NO.



= BLADE SLOT



= WITH MAGNET



= PCS. PER PACKAGE



= COMBI SLOT



= NEWTON



= CAPACITY LOADING



= HEXALOBULAR SOCKET



= FRICTION



= WOOD / GLASS THICKNESS



= COUNTERSUNK HEAD



= AUTOMATIC



= HOLE DIAMETER



= PAN HEAD



= DROP DOWN



= DIAMETER



= FLANGE HEAD



= LENGTH



= FLAT HEAD



= STANDARD HINGE



= HEIGHT



= TRILOBULAR SCREW



= KIMANA HINGE



= RIGHT VERSION



= SELF-TAPPING SCREW



= FLAP HINGE



= LEFT VERSION



= EURO THREAD



= WITH SPRING



= SETTING CODE



= METRIC THREAD



= WITHOUT SPRING



= PCS. PER PAD



= PRE-INSERTED SCREW



= REVERSED SPRING



= CUT ON REQUEST



= PRE-INSERTED SCREW AND SPREADING BUSH



= WITH FLANGE



= SELF ADHESIVE

NOTE: Printing errors and omissions may exist despite our best efforts to ensure accuracy. We reserve the right to alter specifications without notice.

MATERIALS

ZA = Zinc Alloy	ST = Steel	HSS = High Speed Steel	BR = Brass	ABS = Acrylonitrile Butadiene Styrene
ZAnk = Nickel-plated Zinc Alloy	STzk = Zinc-plated Steel	AL = Aluminium	WD = Wood	EVA = Ethylene Vinyl Acetate

EP = **ENGINEERING PLASTIC**

+ **EP** = other engineering plastic available on request

SR = **SOFT RUBBER** + **SR** = other soft rubber available on request

EPn = Natural Engineering Plastic	EPc = Clear Engineering Plastic	SRn = Natural Soft Rubber
EPw = White Engineering Plastic	EPg = Grey Engineering Plastic	SRw = White Soft Rubber
EPwg = Water Green Engineering Plastic	EPa = Anthracite Engineering Plastic	SRb = Black Soft Rubber



FINISHES



+ **OTHER FINISHES AVAILABLE ON REQUEST**

PART NO.	FINISHES	PART NO.	FINISHES	PART NO.	FINISHES
00	Insignificant finish	IF	Middle Grey	RO	Red
AA	Natural	IJ	Light Grey	UT	T-Met 9007
AB	White	IL	Grey 20	UZ	T-Met
AE	White 9010	IN	Grey met. 26	WA	Bronzed
EA	Black	JB	Bright Aluminium	WI	Burnished
EC	Matt Black	JC	Aluminium - Chrome	XD	Satin-finished Steel
EE	Anthracite	JD	Matt Aluminium	YA	Nickel-plated
EW	Grey 9007	JE	Satin-finished Aluminium	YB	Bright Nickel-plated
FU	Gunmetal	JF	Aluminium - Brass	YC	Matt Nickel-plated
FV	Gunmetal V52	JG	Aluminium 5	YD	Satin-finished Nickel-plated
GR	Raw	JL	Aluminium PE 11	YQ	Black Nickel
HA	Brass-Plated	JM	Aluminium RAL 9006	Z9	Black Zinc
HH	Tropicalized	KA	Chrome	ZA	Zinc alloy
HL	Raw Brass	KB	Bright Chrome	ZN	Zinc-plated
HX	Graphite	KC	Matt Chrome	ZQ	Bright Gold
IA	Grey	LD	Brown 8019	ZY	Titanium
IB	Metallic Grey	NN	Metallic Beige	ZZ	Clear

LIBRA H11



PATENTED



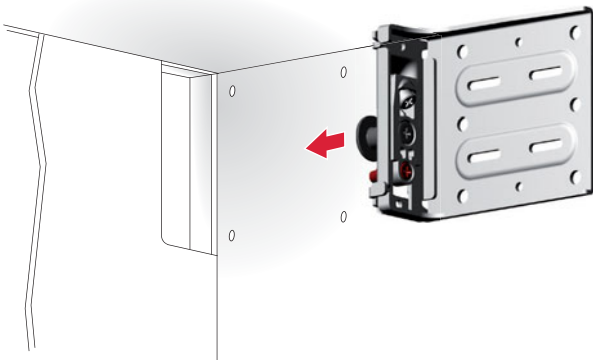


LIBRA H11

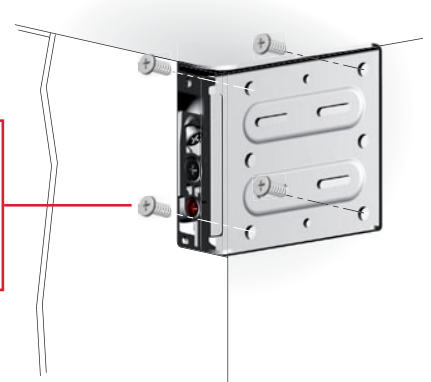
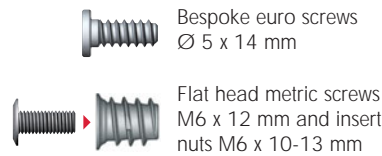
Suitable for suspended base units for all types of furniture.
 Quick and easy installation through 4 holes to be pre-drilled on the side panel.
 Structural top and backside panel are not required.
 Fixation on the side panel through M6 flat head screw or bespoke euro screw.
 Thanks to the slim side plate, it allows to fully and efficiently use the inner space.
 Possibility to install it in pre-assembled cabinets.
 Easy and intuitive installation and removal of the base unit.
 The adjustment body is easily accessible as the screwdriver works parallel to the side panel.
 Patented anti-turnover device.
 The integrated use of LIBRA WP13 is highly recommended.



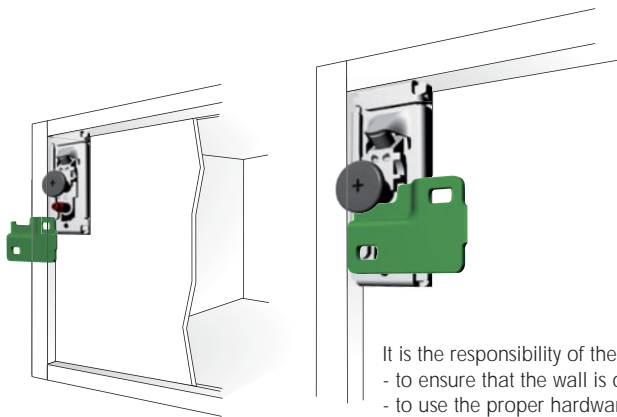
INSTALLATION UNDER THE CABINET TOP



Recommended fixing options:

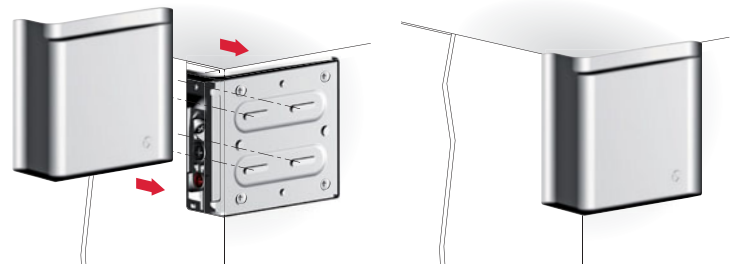


INSTALLATION ON THE WALL



COVER CAP INSERTING

- For details refer to "LIBRA H11 ACCESSORIES".



It is the responsibility of the customer:
 - to ensure that the wall is of a suitable quality to hold the unit fixing in place.
 - to use the proper hardware fittings according to the construction of the wall.

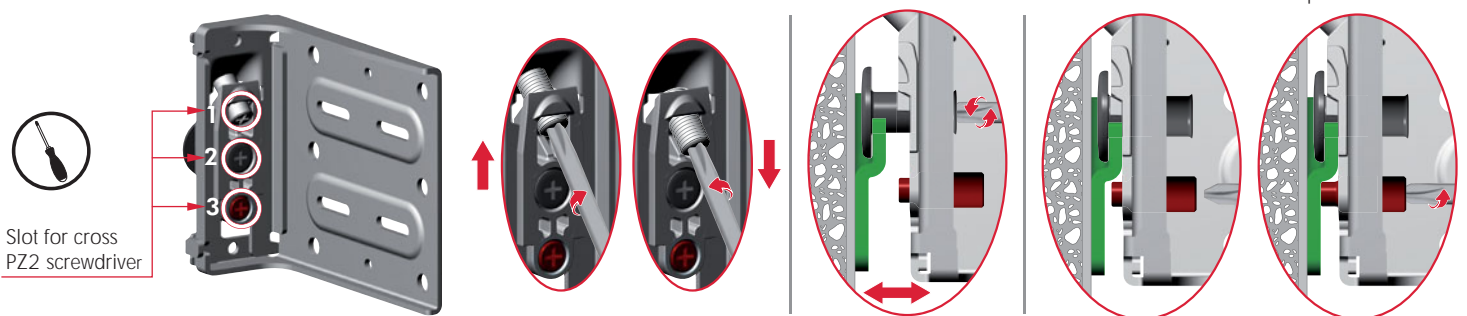
For more specific information, please refer to the WARNINGS section at the end of the catalogue.

ADJUSTMENTS

1
VERTICAL ADJUSTMENT
12 mm

2
IN-DEPTH ADJUSTMENT
10 mm

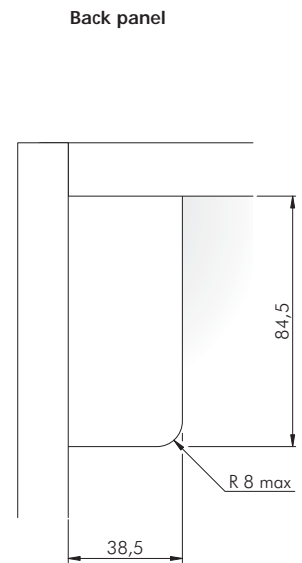
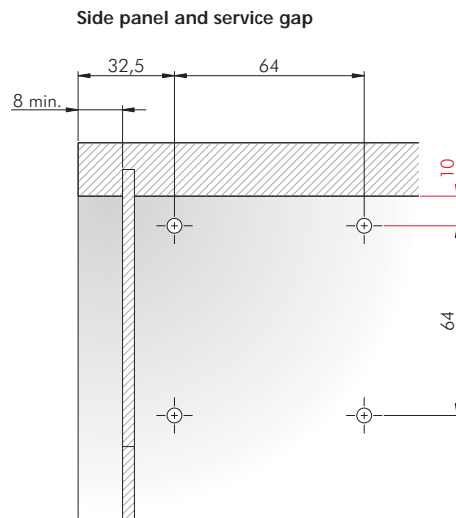
3
ANTI-TURNOVER LOCKING
Stop screwing the red bolt when it touches the wall plate



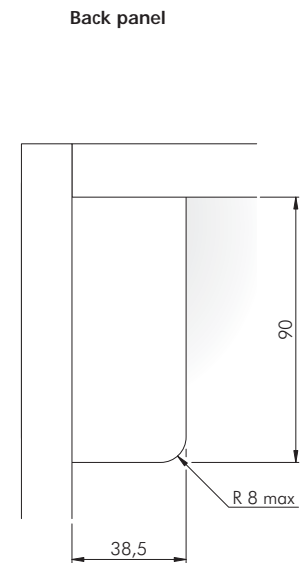
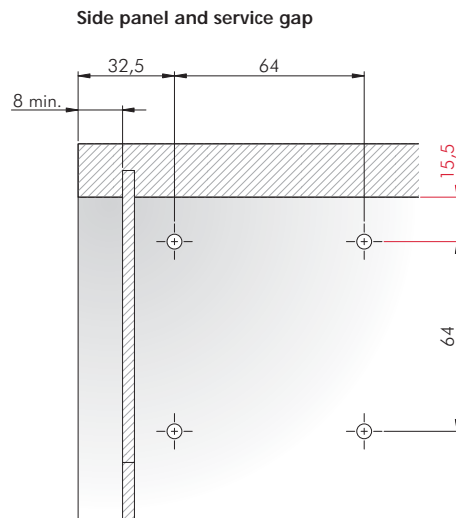
Slot for cross PZ2 screwdriver

INSTALLATION UNDER THE CABINET TOP

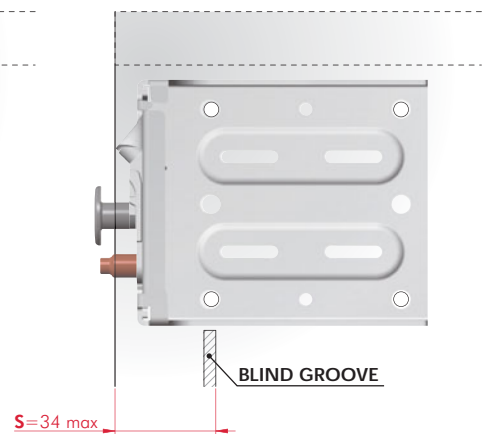
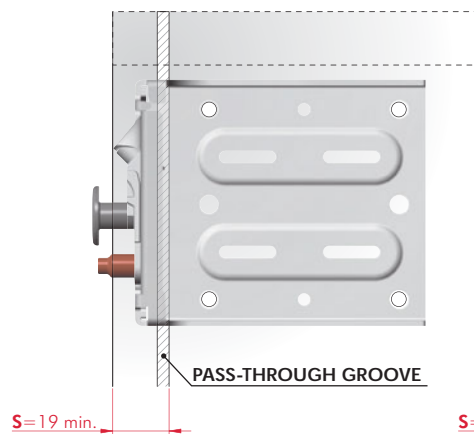
DRILLING PLAN WITHOUT COVER CAP



DRILLING PLAN WITH COVER CAP



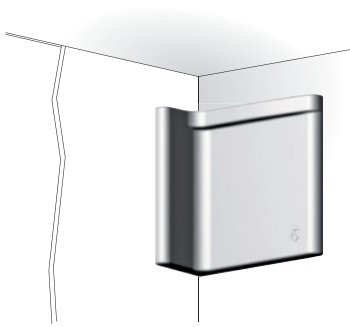
Back panel position



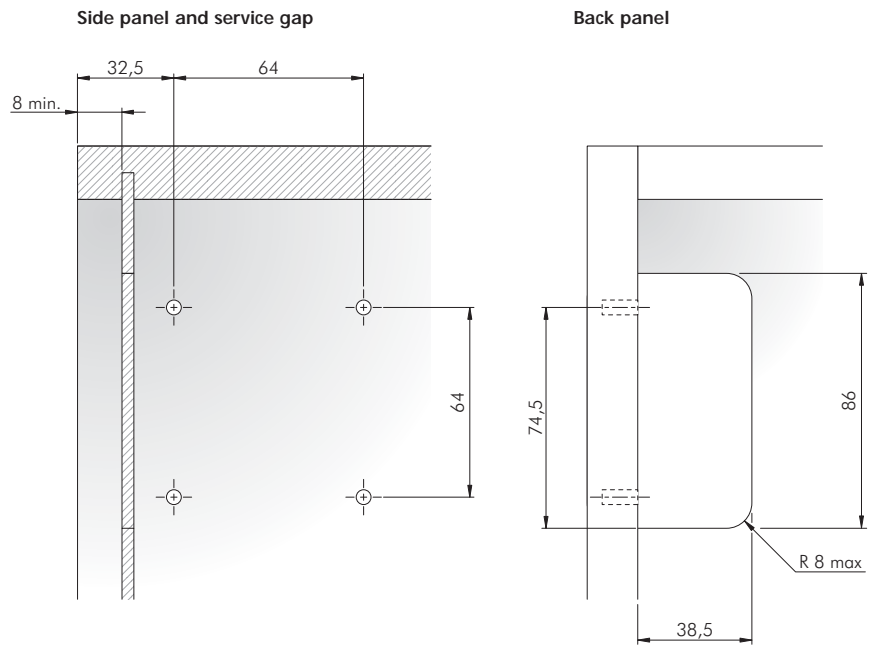


ALTERNATIVE INSTALLATION

DRILLING PLAN WITH COVER CAP

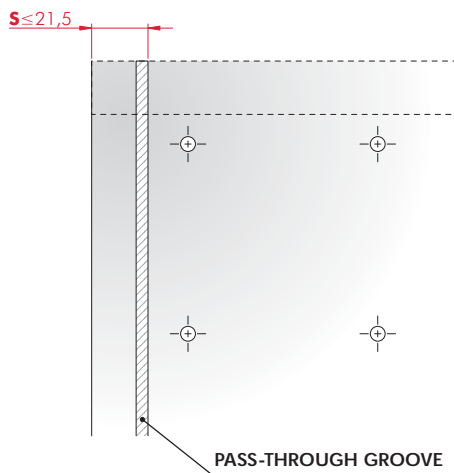
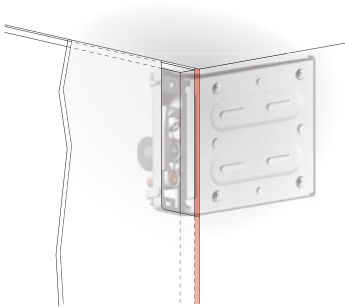


IMPORTANT
The application of the hanger under the cabinet top guarantees a higher capacity loading.

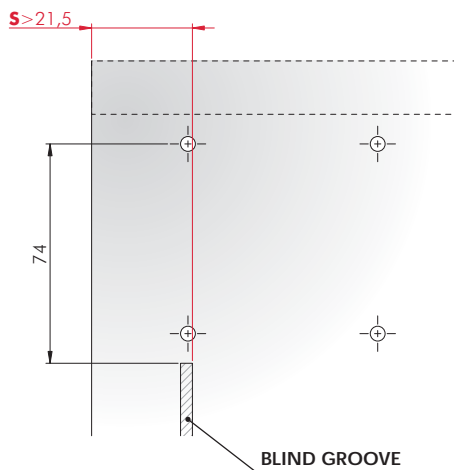
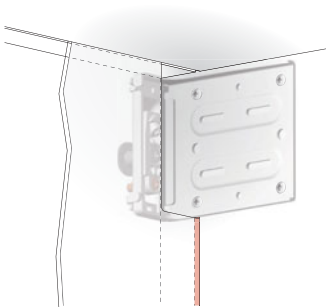


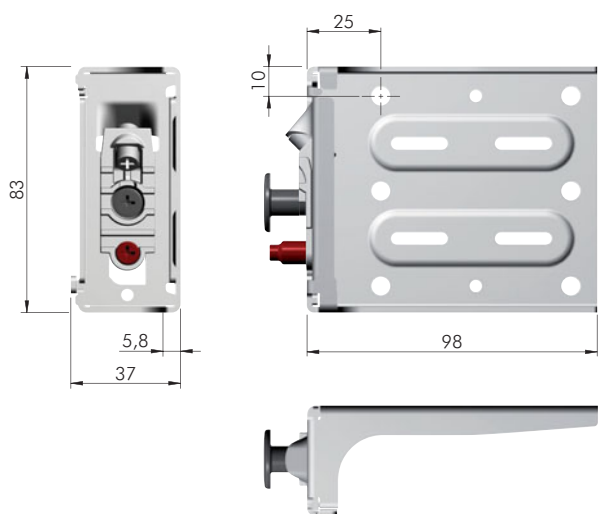
GROOVE FOR THE BACK PANEL DRILLING PLAN

Pass-through groove for $S \leq 21,5$ mm



Blind groove for $S > 21,5$ mm



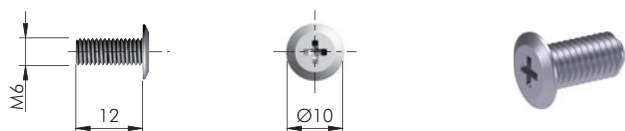


	= PZ2				= 50 pcs.
		63425020ZN		R	
		63425010ZN		L	

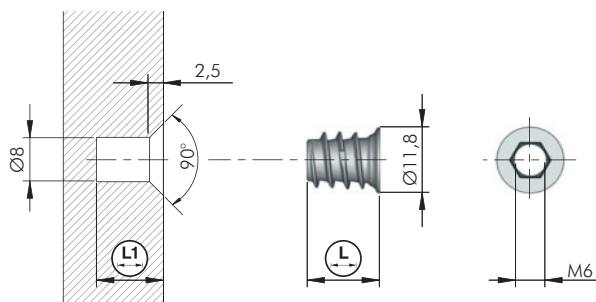
NOTE: for technical details about wall plates please refer to the related sections "LIBRA WALL PLATES" on page 12.65.



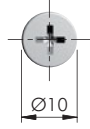
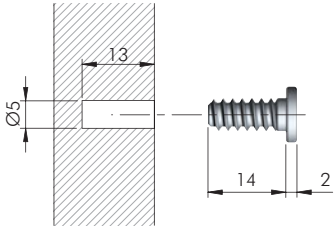
LIBRA H11 ACCESSORIES











	= M6		= PZ2		
					= 5000 pcs.
		20819020ZN			



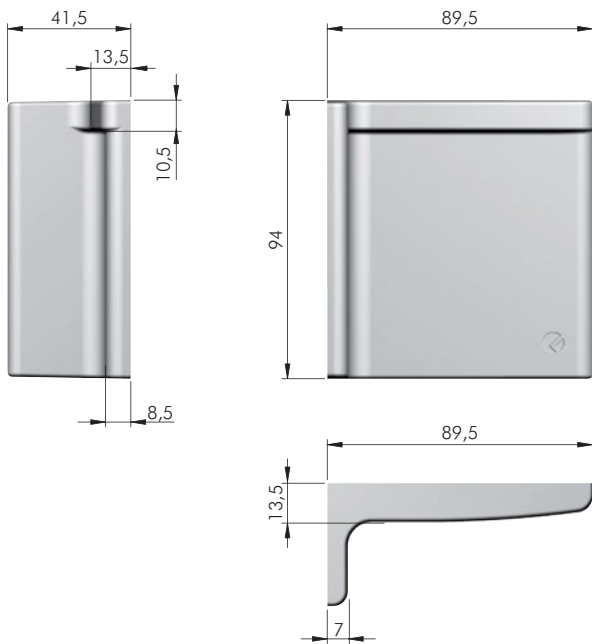
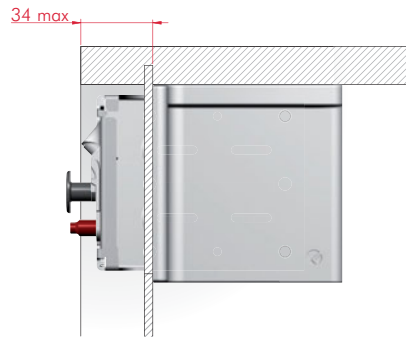
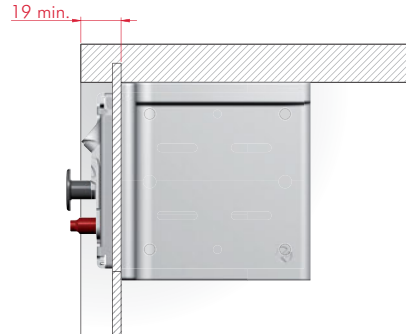
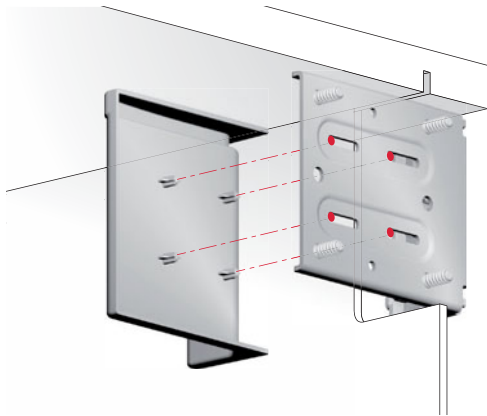
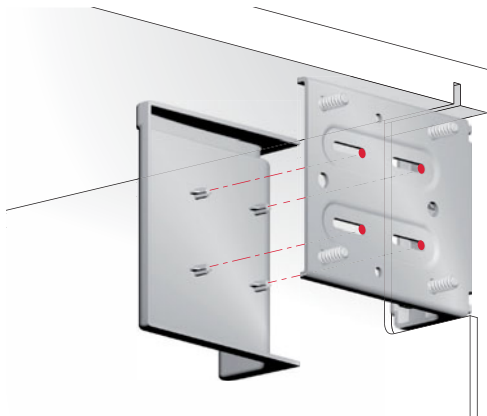
	= Ø 8 mm		= M6		
			= S6		
					= 5000 pcs.
		L	L1		
20102010GR		10	12		
20102020GR		13	15		



	= Ø 5 mm		+
			= PZ2
ST			= 5000 pcs.
			
60507030ZN			

LIBRA H11 COVER CAP

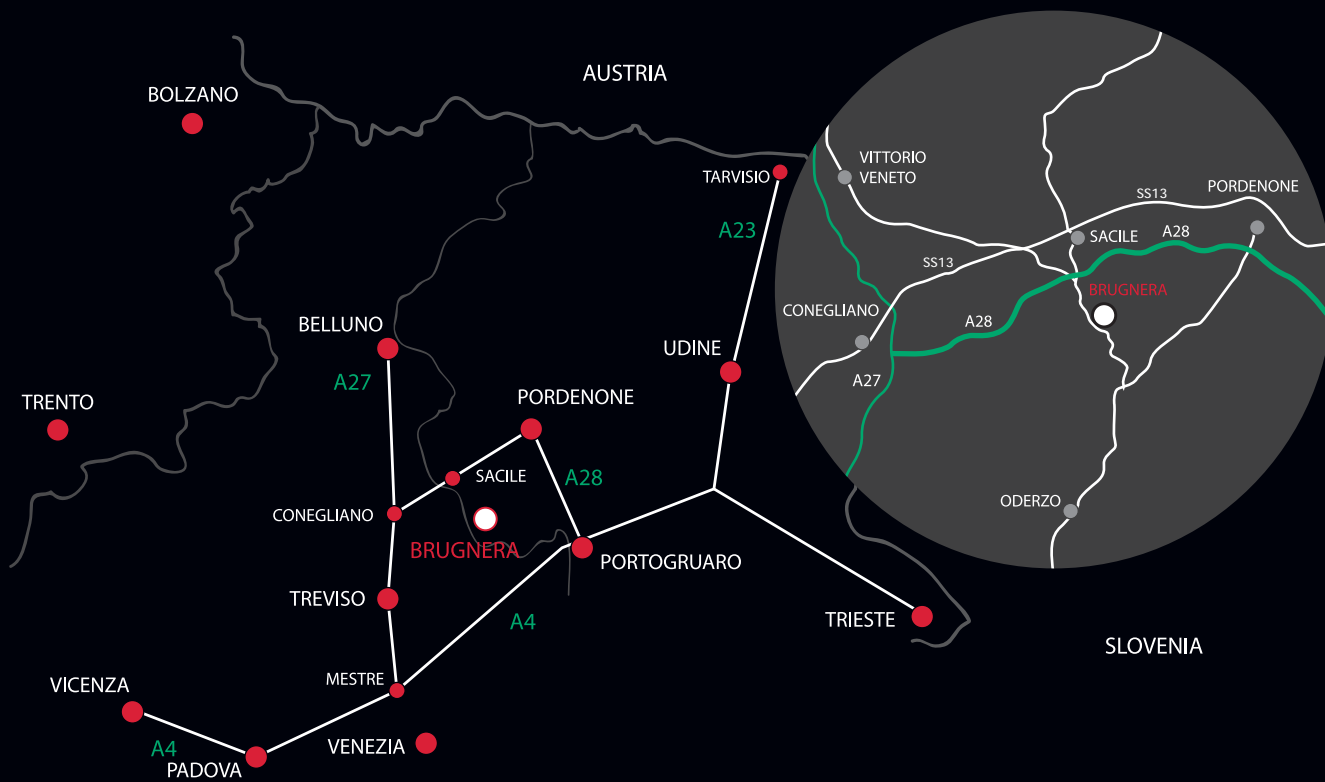
INSTALLATION



EP	= 200 pcs.
63490720AB	(R)
63490710AB	(L)
63490720EE	(R)
63490710EE	(L)
63490720IJ	(R)
63490710IJ	(L)







www.italianaferramenta.it